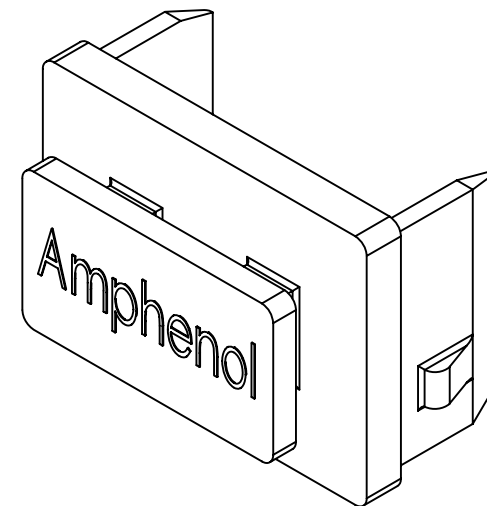
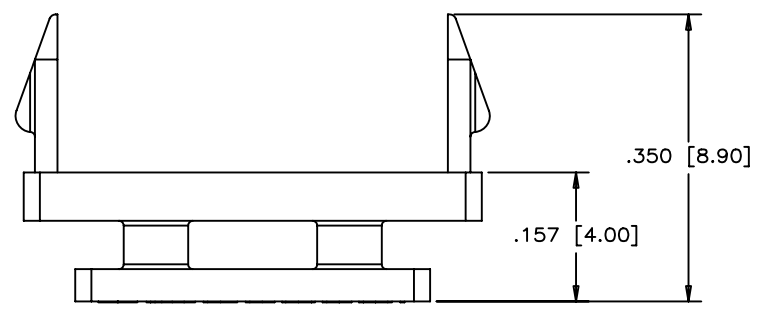
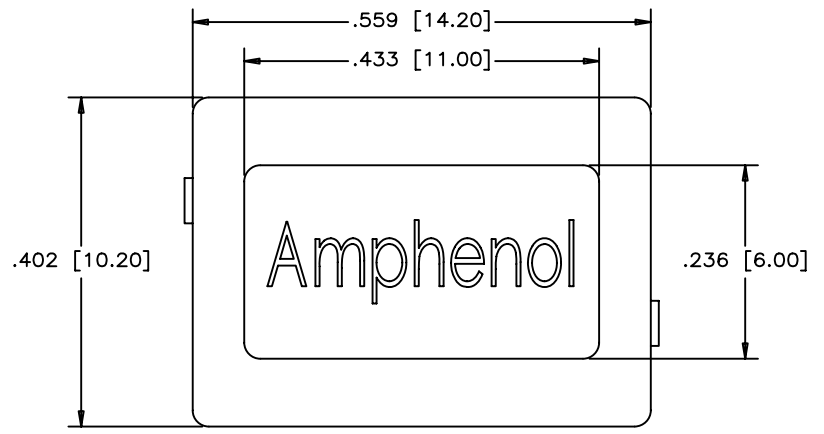


REVISIONS				
SYM	ZONE	ECN, ERN NO.	DATE	APPRD.
A		PROPOSAL	2006/01/12	
B		REVISED	JAN04/08	
C		UPDATED	JAN22/08	

THIS IS A CAD DRAWING. DO NOT MANUALLY REVISE.



ISOMETRIC VIEW



MATERIAL:  
THERMOPLASTIC, FLAMMABILITY UL 94 V-0,  
COLOR BLACK.

THIS DOCUMENT CONTAINS PROPRIETARY INFORMATION AND SUCH INFORMATION MAY NOT BE DISCLOSED TO OTHERS FOR ANY PURPOSE OR USED FOR MANUFACTURING PURPOSES WITHOUT WRITTEN PERMISSION FROM AMPHENOL CANADA CORP.

DRAWN	J.SI	DATE	2006/01/11	Amphenol Canada Corp.		
DESIGNED	J.SI	DATE	2006/01/11			
CHECKED						
I. E. APPRD.						
Q. A. APPRD.						
DWG. APPRD.				TITLE		
ENG. REL. NO.				DUST COVER SFP GAGE		
REF.				DWG	DRAWING NO.	REV.
DIMENSIONS ARE IN			CODE ID. NO.	A	P-U77-A1110-8000P	C
INCHES (mm)			03554	SCALE	4:1	WT. _____
				SURF.	_____	SHEET 1 OF 1